

### FEATURES

- Cable outlet insert (reference 8300020)
- Available cover colours (sold separately, with reference 83000210X, where X = colour):
  - Anthracite (X=5)
  - Silver (X=6)
  - White (X=7)
  - Gloss white (X=8)
- Flush fitting with ZS55 series 1 to 4-gang frames (sold separately, with reference 980000Y0X, where Y = number of gangs, X = colour)
- The use of fixing clamps is optional. This reference is sold separately (reference ZACZSCLA)
- Dimensions 55.5 x 55.5 x 12.4 mm
- Low profile: the frame protrudes 9.5 mm from the wall
- Flush-mounted installation

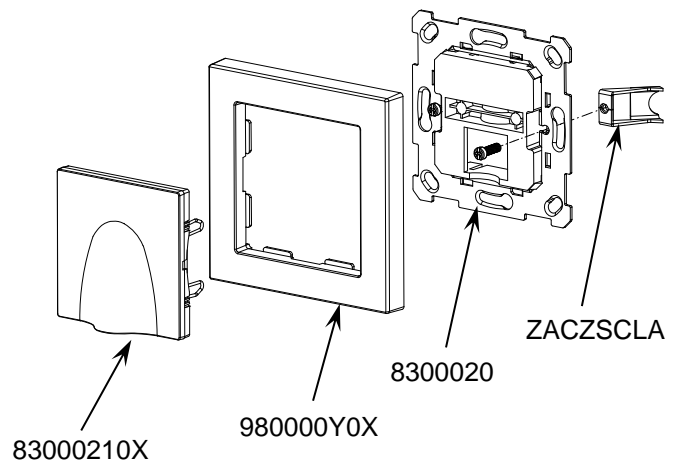


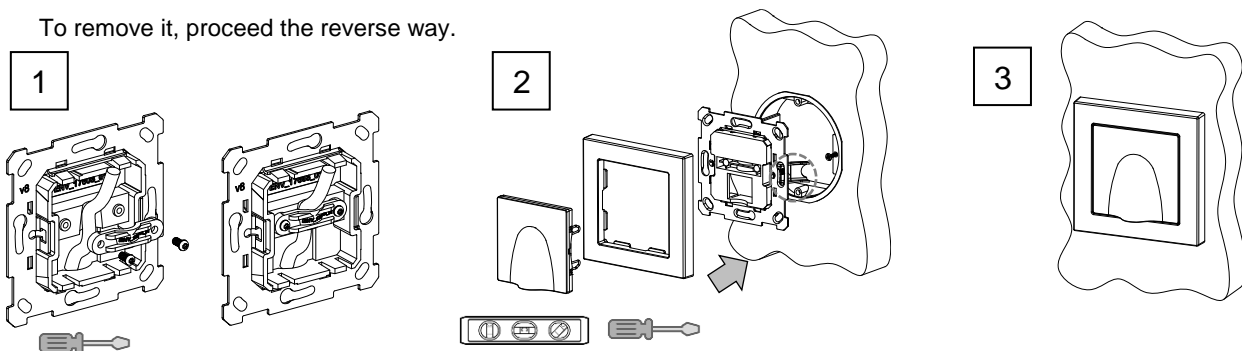
Figure 1. Cable outlet.

GENERAL SPECIFICATIONS	
CONCEPT	DESCRIPTION
Operation temperature	0 .. +40 °C
Storage temperature	-20 .. +55 °C
Operation humidity	5 .. 95% RH
Storage humidity	5 .. 95% RH
Maximal cable diameter	10 mm
Degree of protection	IP20, clean environment
Installation	Independent device to be installed in back boxes.
Weight	39 g
Housing material	PC+ABS FR V0 halogen free

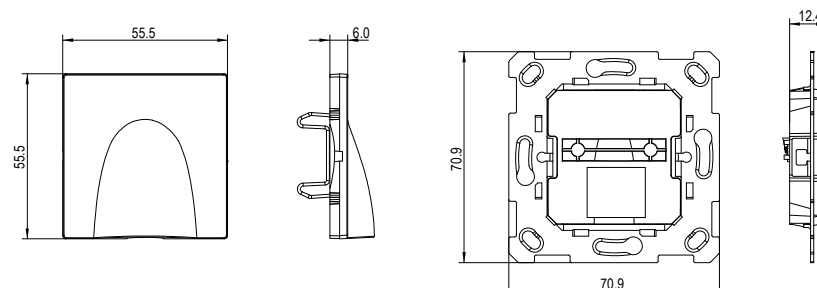
### INSTALLATION INSTRUCTIONS

1. Enter the cable through the insert and fix it with the clamp, by using the screws from the insert (0.35 Nm max.).
2. Fix the metallic plate of the insert to a square or round flush back box, by using the screws from the back box (fixing clamps can optionally be used). Check that the plate is correctly levelled.
3. Fix the frame and cover to the insert by using the clips.

To remove it, proceed the reverse way.



### DIMENSIONS (mm)



### SAFETY INSTRUCTIONS AND ADDITIONAL NOTES

- Installation should only be performed by qualified professionals according to the laws and regulations applicable in each country.