

EX-PD24

Explosion proof 2MP PTZ compact dome with 20x zoom (preliminary)

DESCRIPTION

The EX-PD24 is a compact 2MP PTZ dome camera with 20x optical zoom designed for use in hazardous areas in onshore, offshore, marine and heavy industrial environments. Its body is constructed of electro-polished 316L stainless-steel for maximum corrosion protection. The camera is IP66/IP68 dust- and waterproof, and IK10 vandal resistant.

FEATURES

Corrosion protected 316L stainless-steel

ATEX and IECEx certified for gas and dust

1/2.8 inch Ultra low-light CMOS imager

Quad stream H.264/H.265 and MJPEG

20x optical zoom, 16x digital zoom

IP66 / IP68 (35min @ 1 m)

120 dB WDR (HDR)

Digital Image Stabilization

ONVIF Profile S



Explosion proof certification

Certificates	ATEX (EN IEC 60079-0: 2018 / EN 60079-1: 2014, EN 60079-31: 2014)		
	IECEX (IEC 60079-0: 2017, IEC 60079-1: 2014, IEC 60079-31: 2013):		
Rating	II 2 G Ex d IIC T6 Gb Tamb -40°C to +60°C		
	II 2 D Ex tb IIIC T85°C Db Tamb -40°C to +60°C		

Camera

Image sensor	1/2.8" Progressive scan CMOS		
Effective pixels	1945x1097		
Min. illumination	0.2 lux Color, 0.01 lux B/W (@ 50IRE)		
Shutter speed	8 to 1/50,000 sec		
Day/Night	IR-cut filter		
Lens	20x zoom		
Focal length	4.7mm to 94 mm		
Horizontal field of view	55.5° (W) to 3.0° (T)		

PTZ

Pan range	360° Continuous rotation		
Tilt range	-10° to +190°		
Number of presets	256		
Preset speed	380°/s		
Tour/Pattern Scan	8		
Body material	Electro-polished 316L		

Image control

Dynamic range (WDR)	120 dB, HDR		
White balance	Auto, Manual		
Exposure	Auto, Iris Priority		
Image settings	Brightness, Saturation, Sharpness		
SNR	Better than 50dB		
Noise reduction	2DNR, 3DNR		
Image Stabilization	Yes (Digital)		
Digital zoom	16x		
Text and picture overlay	Pan/Tilt position/function, date & time, 2x line (25 characters each),		
Image rotation	Flip		

Video

Video compression	H.264, H.265 (HEVC); MJPEG		
Number of compression instances	Any combination of 3x H.264/H.265 streams		
	One MJPEG		
Supported resolutions	1920x1080, 1440x1080, 1280x1024/720, 1024x768, 800x600/480, 720x576/480, 704x576/480, 640x480/360, 400x240, 352x288/256/240, 320x240		
Max streaming	Stream 1 (H264)	Stream 2 (MJPEG)	Stream 3 (H264)
- 60fps	1920x1080	640x480	N/A

Specs



Video			
- 30fps (HDR)	1920x1080	704x576	1920x1080
Compression bit rate control	Constant bit rate (CBR), constrained variable bit rate (CVBR)		
Number of video output streams	Up to 10 users (RTSP)		
Max output data rate	10 Mb/s		
Video frame rate	1 to 30 fps, 1 to 25fps		
Analog video output	N/A		

Audio	
Audio compression	G.711
Audio Input	Line in, Mic in
Audio Output	Line out

Analytics	
Event detection	Motion Detection
Event Triggers	External Input, Analytics, Network Failure Detection

Network	
Network storage	NAS (Support NFS, CIFS)
Protocols	IPv4/IPv6, HTTP, HTTPS, 802.1x, Qos, FTP, SMTP, UPnP, DNS, DDNS, NTP, RTSP, RTCP, RTP, TCP/IP, DHCP, Bonjour, zero config
Security	User authentication, IP filtering, HTTPS encryption
Standard	ONVIF (Profile S and T), Siqua API
Web browser	IE 9, 10 and 11; limited support for Edge, Chrome, Firefox
Network interface	10/100 Mb/s (RJ45)

Environmental	
Ingress protection level	IP67
Operating temperature	-30 °C to +60 °C (-22 °F to 140 °F)
- Continuous (sheltered, air temp)	-30 °C to +55 °C (-22 °F to 131 °F)
- Continuous without heater	-20 °C to +50 °C (-4 °F to 122 °F)
- Cold start	-20 °C (-4 °F)
Relative humidity	5 to 100%
Power supply	12Vdc, 2A; 24 Vac, 40VA; PoE 802.3af
Power consumption	12W excluding heater
Heater	10W @ 24Vac only (not supported when powered by PoE)
- Heater on	below 15°C (59°F)
- Heater off	above 25°C (77°F)

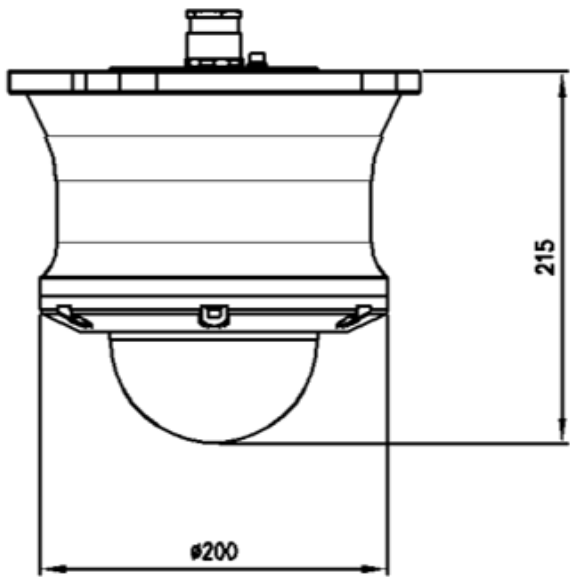
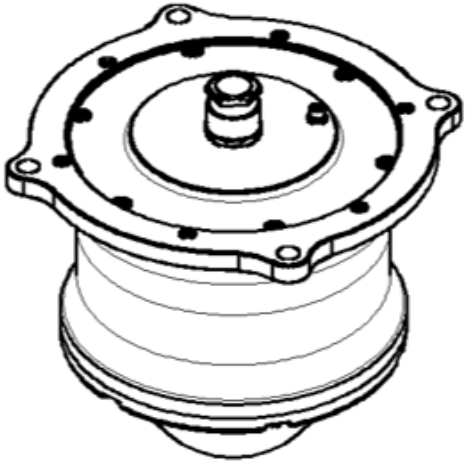
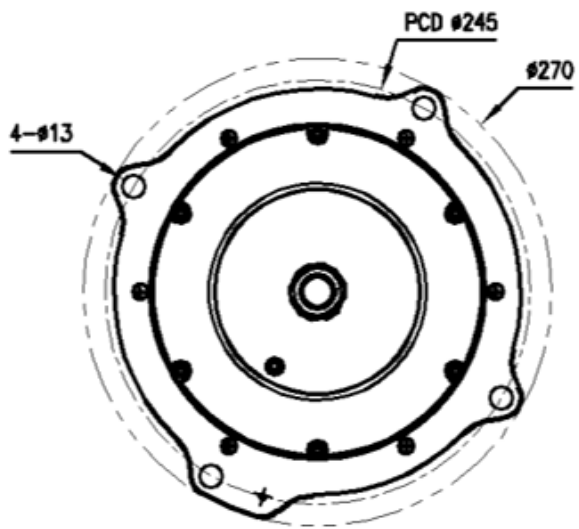
Mechanical	
Cable entry	1x M25 x 1.5
Interfaces	
- Ethernet	RJ45
- Alarm in / out	8-pole terminal block

Specs



Mechanical	
- 12Vdc, 24Vac	2-pole terminal block
- Audio in / out	2x 2-pole terminal block
Dimensions	diameter 270mm x 215mm
Weight	13.5 kg
Impact Rating	IK10
Color	Electropolished

Ordering information	
EX-PD24	2MP Corrosion proof compact PTZ dome, 20x zoom
INT-RJ5	Fast Ethernet Interface RJ45, 5m tail for EX Cameras
INT-RJ10	Fast Ethernet Interface RJ45, 10m tail for EX Cameras



RELATED



Siqura INT-RJ / INT-SM / INT-MM
Network Interface and cable tail of the Siqura SA or EX cameras



Siqura EX-JB01
316L Ex e termination box for EX cameras
