

HSG04-WALL

Wall mount for HSG04, HSG05

DESCRIPTION

HSG04-Wall is an accessory for wall mounting the HSG04 or HSG05 fixed housings.

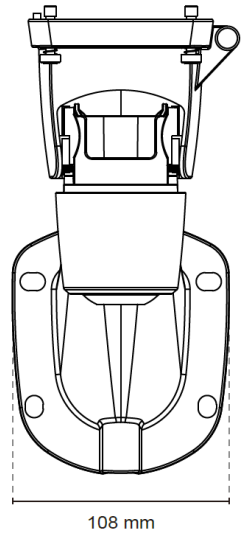
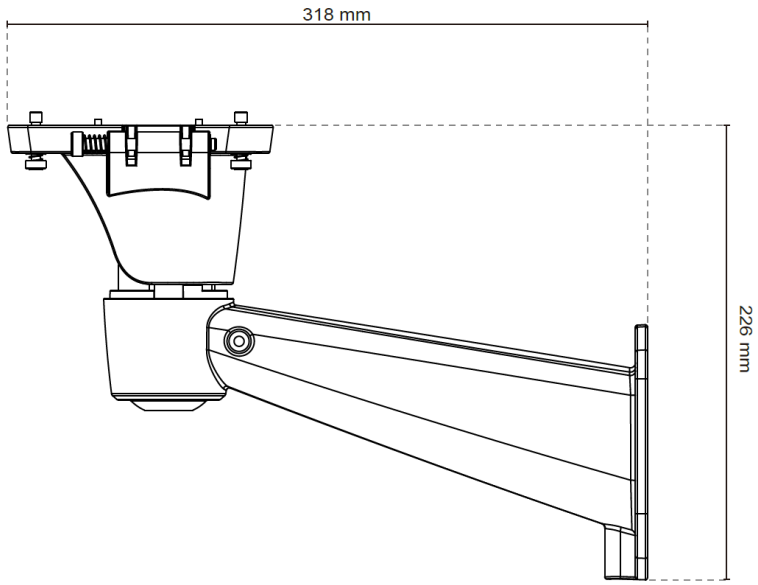


Mechanical

Materials	Aluminium
Dimensions (L x W x H)	318 x 108 x 226 mm
Pan angle	360°
Tilt angle	-66.5°.. 0°
Color	White
Max. Load	10 kg
Weight	1.05 kg

Ordering Information

HSG04-Wall	Wall mount for HSG04, HSG05
HSG04	Outdoor Wiper housing for a fixed box camera
HSG05	Outdoor fixed housing, 90-260VAC



RELATED



TKH Security HSG04
Outdoor Wiper housing for a fixed box camera



TKH Security HSG05
Outdoor fixed housing, 90-260VAC



TKH Security HSG04-Pole
Pole mount for HSG04-Wall
