

RM12-6W F2F1HR

REMCO

NON-SPILLABLE RECHARGEABLE SEALED LEAD ACID BATTERY



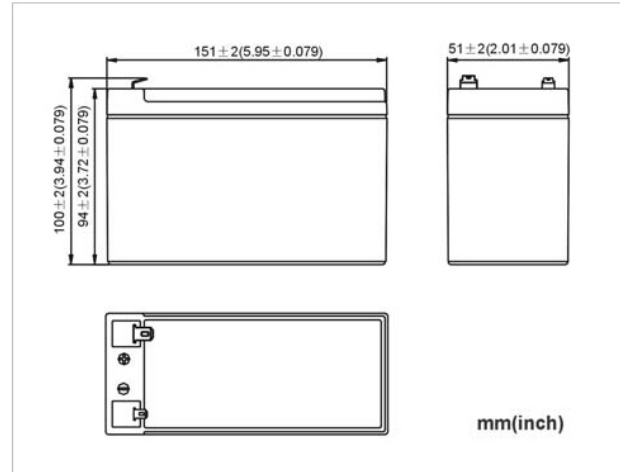
FEATURES

- Designed life for floating charge is 3~5 years (20°C);
- High-rate discharge performance, high energy;
- AGM valve regulated sealing technology;
- High strength ABS material for container & lid;
- Wide temperature scope of application (-15~45°C);
- Best temperature of application (20±5°C);
- No leaking, safe and reliable;
- Standing or lying down for using, convenient to transport and install;
- High sealed reaction efficiency, little loss of water, no need to add distilled water or electrolyte, simple to use and maintain;
- Low self-discharge rate.

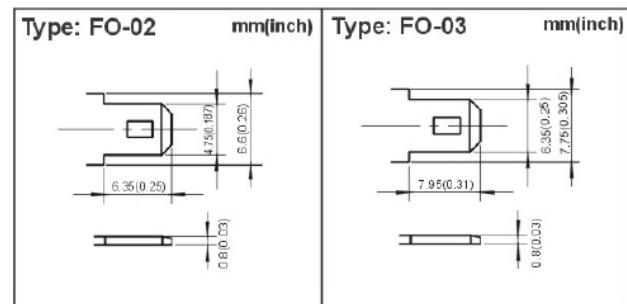
SPECIFICATIONS

Nominal Voltage		12V		C ₂₀		6Ah (10.5V, at 25°C)	
Nominal Power(15min)		24W/Cell (10.02V, at 25°C)		C ₁₀		5.4Ah (10.5V, at 25°C)	
Dimension		Length	151mm	Capacity		C ₃	4.5Ah (10.5V, at 25°C)
		Width	51mm			C ₁	3.6Ah (10.2V, at 25°C)
		Height	94mm	Internal Resistance		Approx. 17 mΩ (25°C)	
		Total Height	100mm	Max Short-duration Discharge Current		180A(25°C)	
Weight		Approx. 2.28kg		Max Charging Current		1.8A	
Charging Voltage	Standby Use	2.275±0.025V/cell (25°C)		Temperature Compensation	Standby Use	-3.3mV/°C/cell	
	Cyclic Use	2.45±0.05V/cell (25°C)			Cyclic Use	-5mV/°C/cell	

DIMENSIONS



TERMINALS



RM12-6W F2F1HR

■ STORAGE

- Batteries should be stored in dry and clean warehouse which has good air exchange system. Batteries should avoid direct sunlight. Batteries should not be near to heat (such as radiator, the distance should more than 1m). Batteries should avoid any toxic gas and organic solvent.
- When the ambient temperature is less than 25°C, the longest storage life is 6 months. If ambient temperature is higher, the longest storage life varies as specified in below chart.

Storage Temperature (°C)	≤25	26~33	34~40
Storage Time (Month)	6	3	1

- Batteries should be recharged within the storage life or before using.
 Charging methods: maximum charging current 1.8A, constant voltage 2.45±0.05V/cell (25°C);
 Charging time: 15~20h; Temperature compensation coefficient: -5mV/°C/cell.

■ CONSTANT CURRENT DISCHARGE CHARACTERISTICS

UNIT: A (25°C)

F.V. \ TIME	5min	10min	15min	30min	1hr	2hr	3hr	5hr	10hr	20hr
1.60V	27.66	17.08	12.74	7.35	3.84	2.12	1.49	0.94	0.56	0.31
1.70V	25.63	16.27	12.27	7.17	3.80	2.09	1.47	0.93	0.55	0.31
1.80V	22.56	14.67	11.21	6.69	3.67	2.03	1.42	0.90	0.53	0.30

■ CONSTANT POWER DISCHARGE CHARACTERISTICS

UNIT: W/CELL (25°C)

F.V. \ TIME	5min	10min	15min	30min	1hr	2hr	3hr	5hr	10hr	20hr
1.60V	51.53	32.74	24.50	14.40	7.63	4.23	2.97	1.88	1.12	0.63
1.70V	47.76	31.18	23.59	14.05	7.55	4.19	2.94	1.86	1.10	0.62
1.80V	42.03	28.11	21.57	13.11	7.30	4.05	2.85	1.80	1.07	0.60

