

BL2002V2LPR

LPR bullet camera, 8-32 mm motorized lens, 2MP, H.265/H.264

DESCRIPTION

The BL2002v2LPR is an intelligent 2-megapixel IP bullet camera with built-in LPR. The license plate recognition uses the latest AI algorithm, ensuring the highest accuracy possible. The built-in IR illumination adapts to the lighting environment for the best and balanced exposure of the image up to 100 m. The long-range 8 to 32 mm motorized autofocus lens allows for easy setup and ensures sharp and clear images. The camera has a wide range of intelligent video analytics features to detect numerous events. Intelligent video encoding ensures good image quality and low storage costs.

FEATURES

1/1.8 ultra-low light CMOS imager

2MP @ 30 fps (1920x1080)

Motorized zoom (8 - 32 mm)

AI: LPR, perimeter and exception detection

Multi-codec multi-stream: 5x H.265, H.264, MJPEG

140 dB triple exposure WDR

Built-in IR illuminator (100 m)

IP67, IK10

ONVIF Profile S, G and T



Description

License plate recognition

With an accuracy of 95% the BL2002v2LPR captures license plates in both day and night. It can create alarms for both white-listed and black-listed license plates. The camera can be used to read license plates in multiple lanes and in both directions. Additional attributes about the vehicle such as vehicle type, color, brand etc are offered to craft the understanding of detected vehicles.

Multi-encoder & multi-streaming

The camera is capable of simultaneous streaming 5 different H.265, H.264 and MJPEG streams. Streaming 2-megapixel full-HD (1920 x 1080) at 30 fps. Multiple combinations of resolution, frame rate, and encoding can be configured to satisfy different live viewing and recording scenarios.

High-Efficiency Video Coding (HEVC)

H.265 or HEVC is a video compression standard, the successor of H.264. In comparison, H.265 offers about double the compression ratio at the same level of video quality or substantially improved video quality at the same bit rate. Thus saving bandwidth and recording space.

ONVIF

Multiple options are available to easily integrate the BL2002v2LPR into a video management system. In support of open standards, the BL2002v2LPR is compliant with ONVIF (Profile S / Profile G).

Image enhancement

The BL2002v2LPR features a set of tools to enhance the image quality, such as smart IR, Defog, BLC, and 3D noise reduction.

Ease of installation

The BL2002v2LPR is fitted with a built-in junction box to make installation easy and dismisses the need for an external junction box.

Camera	
Image Sensor	1/1.8" Progressive CMOS
Effective pixels	1920x1080(2MP)
Minimum scene illumination	Color: 0.0005lux, B/W: 0lux with IR illumination on, F1.2
Shutter Speed	1 sec. to 1/100,000 sec.
Lens	Motorized 8 to 32 mm, F/1.2, P-iris
Field of View	42° to 15° horizontal, 23.3° to 8.6° vertical
Focus Control	Autofocus
Slow Shutter	Support
Day/Night	Automatic IR-cut Filter

Video	
Video Compression	H.265 (Main Profile) / H.264 (High Profile/Main Profile/High Profile) / MJPEG
Video Bitrate	32Kbpf to 8Mbps
Max. Resolution	1920x1080 30fps
Supported Resolution	1920x1080, 1280x720, 704x576, 640x480
Frame Rate	25/30fps
Number of simultaneous streams	Five streams

Max. Streaming	
25fps	
25fps*	1920x1080, 704x576, 1920x1080, 1920x1080, 704x576
30fps*	1920x1080, 704x480, 1920x1080, 1920x1080, 704x576
60fps(Shutter WDR OFF)	1920x1080
Bitrate Control	Constant bit rate (CBR), variable bit rate (VBR), Smart bitrate(H.265+, H.264+)**
Number of video output streams	Up to 20(RTSP)
Video output	1 Vp-p; 2-pin to BNC patch cable (For test/installation only)
Region of interest	Support
	**Main Stream support

Image	
Wide dynamic range	140dB
White Balance	Auto, Fixed, Manual
Image Setting	Saturation, Brightness, Contrast, Sharpness, Backlight Compensation, Highlight Compensation, WDR, Exposure control, Gain
SNR	52dB
Day/Night Switch	Auto/Scheduled/Triggered by Alarm In
Image Enhancement	3DNR, Defog, Lens Distortion Correction
Image Stabilization	Yes
Image Rotation	90°, 180°, 270° rotation
privacy masks	Support
Text and picture overlay	Date & time, Preset title, Image overlay with 128 128 24-bit BMP format

Image

Analytics

Smart Analytics*	Defocus Detection, Scene Change Detection, Line crossing*, Loitering Detection*, Intrusion Detection*, Region exiting detection*, Object Abandoned*, Object Removal*, Road Traffic**
Event detections	External Input, External Output, Tampering, recording notification, Network disconnected, IP Address Conflicted, Illegal Login, Video quality Diagnosis, Vibration detection, Event Action Alarm output, Record video clip to NAS/SD card, Send alarm message and image by E-mail/FTP, Send HTTP notification *Available on Smart Event mode. **Available on Road Traffic mode.

Traffic Load

Accuracy	95%, under ideal installation condition
Max Vehicle Speed	60 km/h
Detected Distance	7.2-28.9 meters
Blacklist/Whitelist	10,000 records
Missing Detection	Support
Attributes of Vehicle Detection	License Plate Recognition(vehicle, motorcycles), Vehicle Type, color, brand, moving direction, validity
Country	Albania, Algeria, Angola, Argentina, Armenia, Australia, Austria, Azerbaijan, Bahrain, Belarus, Belgium, Bolivia, Bosnia and Herzegovina, Brazil, Bulgaria, Cambodia, Cameroon, Canada, Chile, Colombia, Costa Rica, Cote d'Ivoire, Croatia, Cyprus, Czech Republic, Denmark, Dominica, Ecuador, Egypt, Estonia, Ethiopia, Finland, France, Georgia, Germany, Ghana, Greece, Guatemala, Hungary, Iceland, Indonesia, Iraq, Ireland, Israel, Italy, Japan, Jordan, Kazakhstan, Kenya, Kosovo, Kuwait, Kyrgyzstan, Latvia, Lebanon, Libya, Liechtenstein, Lithuania, Luxembourg, Macedonia, Malaysia, Malta, Mauritius, Mexico, Moldova, Mongolia, Myanmar, the Netherlands, New Zealand, Nigeria, Oman, Pakistan, Palestine, Panama, Paraguay, Peru, Philippines, Poland, Portugal, Qatar, Romania, Russia, Salvador, Saudi Arabia, Senegal, Sierra Leone, Singapore, Slovakia, Slovenia, South Africa, South Korea, Spain, Sri Lanka, Sweden, Switzerland, Taiwan, Tajikistan, Tanzania, Thailand, Trinidad and Tobago, Tunisia, Turkey, Uganda, Ukraine, United Arab Emirates, the United Kingdom, Uruguay, Uzbekistan, Vietnam, Zambia, Zimbabwe

Alarm

Input	2x(max. 24VDC, 1A)
Output	2x(max. 24VDC, 1A)
Operational modes	Motion detection, Tampering alarm, Alarm I/O, Smart Analytics Events

Specs



Alarm

Network

Communication Interface	10/100/1000 Mb (RJ45)
Network protocols	IPv4/IPv6, HTTP, HTTPS (TLS1.2), 802.1x, Qos, FTP, SMTP(SSL), UPnP, SNMP(v1/v2/v3/Traps), DNS, DDNS, NTP, RTSP, RTCP, RTP/UDP, TCP/IP, IGMP(v2/v3), DHCP, PPPoE, SSL/TLS, SRTP, ONVIF Profile S/G/T, Siqua Programming Interface (SPI API)
Security	User authentication, Privilege Management, Digest authentication (RTSP, HTTP), HTTPS encryption (TLS1.1/1.2); SRTP, IEEE 802.1x port-based network access control, IP filtering
Web Viewer	Internet Explorer 11, Microsoft Edge, Google Chrome, Mozilla Firefox

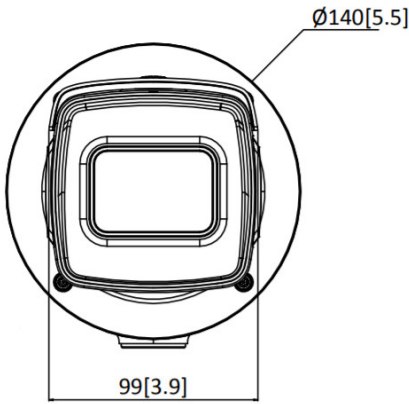
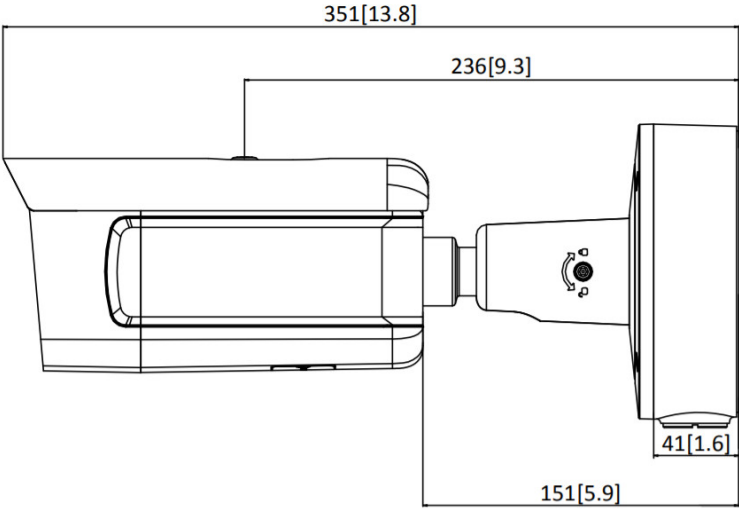
General

Protection Level	IP67, IK10
Material	Die cast aluminum
Edge Storage	Built-in micro SD/SDHC/SDXC slot, up to 256 GB
Power	DC12V (terminal block), Max.14.28W; IEEE 802.3at PoE Type 2, Class 4, Max. 16.8W
IR illumination	850nm IR LEDs, 100m IR Viewable Length
Operating temperature	-30°C ~ 60°C (-22°F ~ 140°F)
Relative Humidity	95% or less, no condensation
Dimensions(camera body)	diameter 140 x 351 mm (5.5" x 13.8")
Weight	2.5kg
Colour	RAL 9003 (Signal white)

Ordering information

BL2002v2LPR	2MP LPR bullet camera, 8-32 mm motorized lens, H.265/H.264
WM20	Corner mount for BL2002, FD2002, BL2005 and FD2005 cameras
PM10	Pole mount for BL2002, FD2002, BL2005 and FD2005 cameras

DIMENSIONS IN MM



RELATED



TKH Security WM20

Corner mount, for 200xM/200xv2M series cameras



TKH Security PM10

Pole mount, for BL/FD200xM1-EI, FD200xv2M
